

CIRCUIT-TEST

DC Cooling Fans - D1238 Series

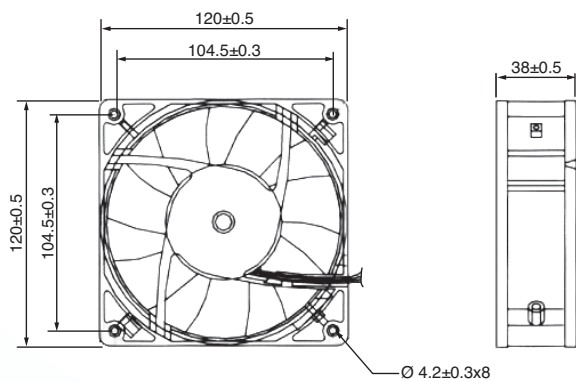


- Size: 120 x 120 x 38mm (4.7 x 4.7 x 1.5")
- Frame: Die-cast aluminum
- Impeller: Glass fiber reinforced plastic 94V-0 PBT
- Bearing: Ball or Sleeve
- Connection: Wire leads
- Feature: Locked rotor alarm signal output
- Weight: 420g



MODEL	RATED VOLTAGE VDC	INPUT POWER W	RATED CURRENT A	BEARINGS	SPEED RPM	AIR FLOW CFM	MAX. PRESSURE mmH ₂ O	NOISE dB
CFA1212038MB	12	12	1	Ball	2400	121	5.6	46
CFA1212038MS	12	12	1	Sleeve	2400	121	5.6	46
CFA2412038MS	24	14.4	0.6	Sleeve	2400	121	5.6	46

Dimensions (mm)



Performance Curve

