

CIRCUIT-TEST

DC Cooling Fans - D0925 Series

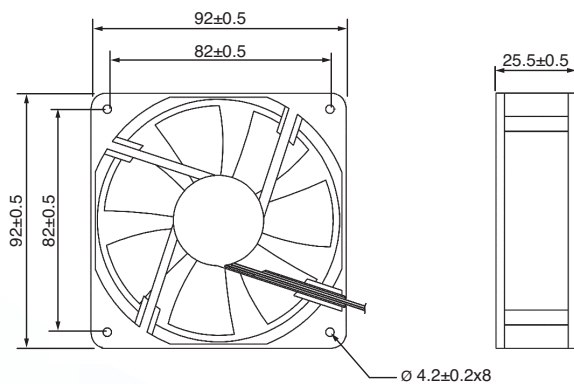


- Size: 92 x 92 x 25mm (3.62 x 3.62 x 1")
- Frame: Glass fiber reinforced plastic 94V-0 PBT
- Impeller: Glass fiber reinforced plastic 94V-0 PBT
- Bearing: Ball or Sleeve
- Connection: Wire leads
- Feature: Locked rotor alarm signal output
- Weight: 120g



MODEL	RATED VOLTAGE VDC	INPUT POWER W	RATED CURRENT A	BEARINGS	SPEED RPM	AIR FLOW CFM	MAX. PRESSURE mmH ₂ O	NOISE dB
CFA129225LS	12	1.92	0.16	Sleeve	2000	41.5	2.3	28
CFA129225MB	12	2.4	0.2	Ball	2500	50.5	3.5	34
CFA129225MS	12	2.4	0.2	Sleeve	2500	50.5	3.5	34
CFA249225MS	24	3.36	0.14	Sleeve	2500	50.5	3.5	34

Dimensions (mm)



Performance Curve

