

CIRCUIT-TEST

DC Cooling Fans - D0825 Series

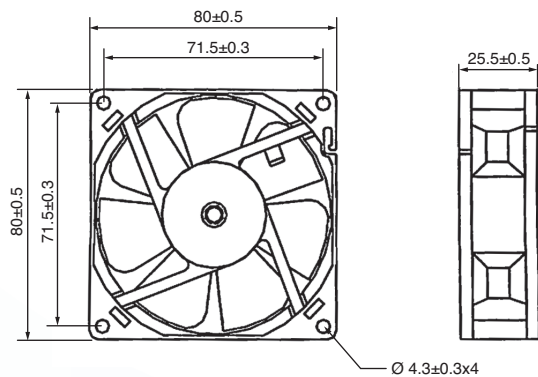


- Size: 80 x 80 x 25mm (3.15 x 3.15 x 1")
- Frame: Glass fiber reinforced plastic 94V-0 PBT
- Impeller: Glass fiber reinforced plastic 94V-0 PBT
- Bearing: Ball or Sleeve
- Connection: Wire leads
- Feature: Locked rotor alarm signal output
- Weight: 85g



MODEL	RATED VOLTAGE VDC	INPUT POWER W	RATED CURRENT A	BEARINGS	SPEED RPM	AIR FLOW CFM	MAX. PRESSURE mmH ₂ O	NOISE dB
CFA128025LS	12	1.8	0.15	Sleeve	2100	30	2.18	23.7
CFA128025MB	12	2.4	0.2	Ball	2700	37	3.24	29.8
CFA128025MS	12	2.4	0.2	Sleeve	2700	37	3.24	29.8
CFA248025MS	24	4.8	0.17	Sleeve	2700	37	3.24	29.8

Dimensions (mm)



Performance Curve

