

# CIRCUIT-TEST

## AC Cooling Fans - B0925 Series

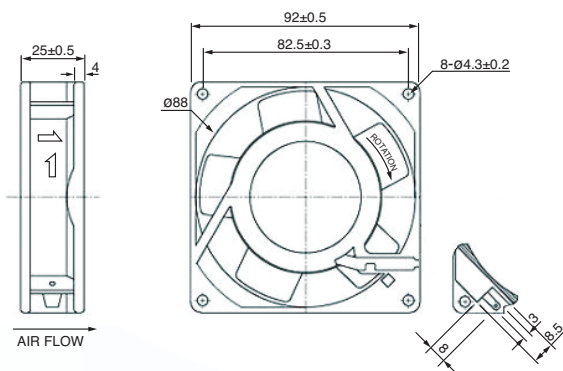


- Size: 92 x 92 x 25mm (3.62 x 3.62 x 1")
- Frame: Die-cast aluminum
- Impeller: Glass fiber reinforced plastic 94V-0 PBT
- Bearing: Ball
- Motor: Shaded pole
- Protection: Impedance
- Connection: Terminals
- Weight: 280g



MODEL	RATED VOLTAGE VAC	FREQUENCY Hz	INPUT POWER W	RATED CURRENT A	BEARINGS	SPEED RPM	AIR FLOW CFM	MAX. PRESSURE mmH <sub>2</sub> O	NOISE dB	CONNECTION
CFB1159225HB	115	60	11	0.12	Ball	3000	40	6.1	36	Terminals
CFB2309225HB	230	50/60	16/14	0.08/0.07	Ball	2500/3000	33/40	4.2/6.1	32/36	Terminals

### Dimensions (mm)



### Performance Curve

