

CIRCUIT-TEST

AC Cooling Fans - A1890 Series

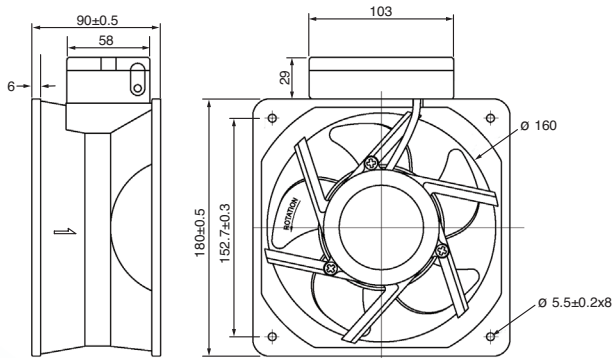


- Size: 180 x 180 x 90mm (7.125 x 7.125 x 3.6")
- Frame: Die-cast aluminum
- Impeller: Glass fiber reinforced plastic 94V-0 PBT
- Bearing: Ball
- Motor: Capacitor induction
- Protection: Thermal
- Connection: Screw terminals
- Weight: 2200g



MODEL	RATED VOLTAGE VAC	FREQUENCY Hz	INPUT POWER W	RATED CURRENT A	BEARINGS	SPEED RPM	AIR FLOW CFM	MAX. PRESSURE mmH ₂ O	NOISE dB	CONNECTION
CFA11518090HB	115	60	72	0.63	Ball	3400	460	27	59	Terminals
CFA23018090HB	230	50/60	75/72	0.42/0.31	Ball	2850/3400	390/460	20/27	54/59	Terminals

Dimensions (mm)



Performance Curve

